



Room Temperature Control Set for Radiator and Floor Heating Connection

- simply comfortable -

- ✔ Individual floor heating for small spaces
- ✔ Suitable for one- and two-pipe-systems*
- ✔ Applicable for renovation and new construction
- ✔ Control range of floor heating:
25 - 60°C



HERZ Armaturen GmbH

A-1230 Vienna · Richard-Strauss-Strasse 22

Tel./Fax: +43 (0)1 616 26 31-0/-227, www.herz.eu



HERZ Room Temperature Control Set for Radiator and Floor Heating Connection in Two-Pipe Systems

The HERZ Room temperature control sets 1 **8100 25** and 1 **8100 26** consist of a flush box with cover plate (chrome with the first version, white with the second), a shutoff valve RL-1, a thermostatic valve TS-98-V and a return temperature limiter Mini as well as a double connection distributor.

Area of Application

The control lowers the temperature of the radiator heating circuit to a level suitable for the floor heating. Control Range: 25-60°C. This enables a floor heating circuit for small room surfaces to be individually controlled. With a pipe distance of 125 mm, a floor space of up to approx. 4 m², and with pipe distances of up to 250 mm, a floor space of up to 8 m² can be controlled.

Operation

The medium circulating in the heat-

ing system (radiator circuit) enters the system at the floor heating supply section. Its temperature is limited in the return section using a thermostatic valve with return temperature limiter to the set value.

The latter constantly measures the return temperature. If the desired temperature is exceeded, the thermostatic valve in the return section throttles the mass flow, and the heat supply is reduced. When the temperature falls below the nominal value, the valve opens to increase the temperature back to the preset value. At the same time, a radiator for warming towels is connected.

Layout

Screw connection 1 **6220 71**

The screw connection is established using two free-spinning gland nuts on the cone sleeve and on the ra-

diator's thermostatic valve TS-3000. It is installed once conically-sealing and once flat-sealing.

HERZ TS-3000 1 **3693 91**

The radiator connection with HERZ 3000 TS is required so as to be able to connect a bathroom radiator.

Cone sleeve: 1 **3001 01**

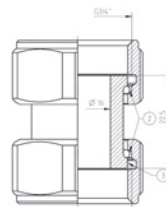
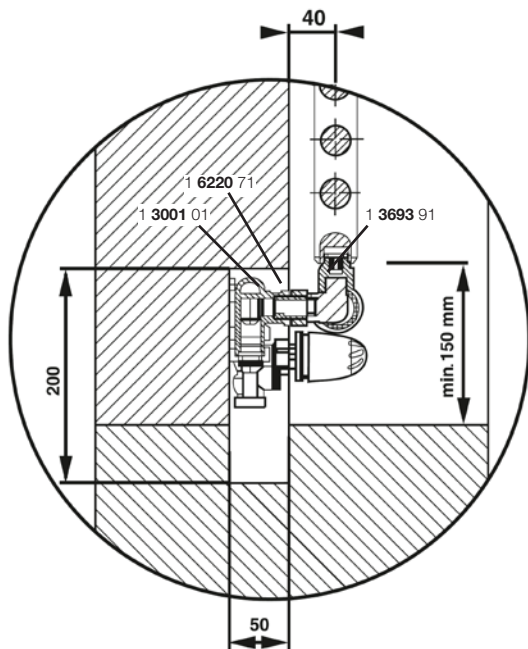
The cone sleeve is required to compensate for the flat-sealing screw-connection.

Installation

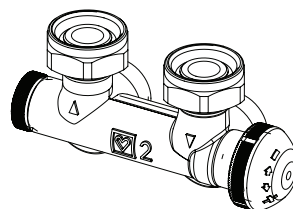
The control set flush box must be installed flush with the wall plaster upper surface.

We recommend using HERZ Design cover 1 **0100 21** (white) or 1 **0100 41** (chrome) as well as HERZ Thermostatic valve Mini 1 **9200 41** (chrome) or 1 **9200 60** (white).

Installation situation

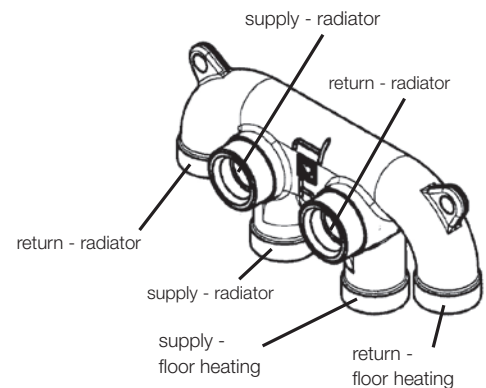


1 **6220 71**



1 **3693 91**

*1 **3793 92** - (single pipe) only with last radiator in heating circuit



1 **4133 01**

1 **8100 25**

Room Temperature Controller Set, chrome

1 **8100 26**

Room Temperature Controller Set, white